

VIBRATION & SHOCK ISOLATORS

20

Despite Longwood's extensive selection of Vibration Isolators, there are times when you will require a custom part. Longwood can prototype and manufacture to your specifications.

**Flex Bolt
Stud Mounts**



Pg. 116

**Torsional Control
Mounts**



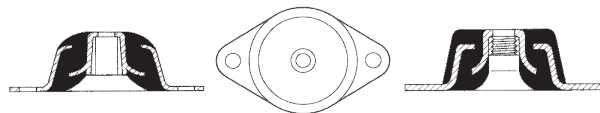
Pg. 117

**Center Bonded
Mounts**



Pg. 121

Compression Mounts



Pg. 121

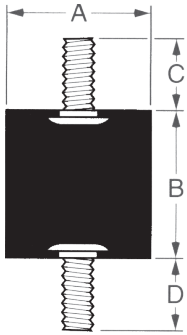
Grommet Mounts



Pg. 122

Please call customer service at 1-800-829-7231 for additional information or to request a copy of Longwood's complete Vibration & Shock Mounts catalog.

ILLUSTRATIONS BELOW NOT TO SCALE

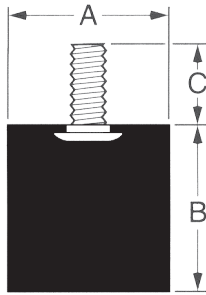


Rubber Vibration Dampers				
Part #	A	B	C	D
20-RC100*	3/8	5/16	8-32 NC x 7/32	8-32 NC x 7/32
20-RC101	3/8	5/16 SQ.	8-32 NC x 3/8	8-32 NC x 3/8
20-RC102	3/8	1/2 SQ.	8-32 NC x 7/32	8-32 NC x 7/32
20-RC103	3/8	1/2 SQ.	8-32 NC x 3/8	8-32 NC x 3/8
20-RC9080	3/8	1/2	8-32 x 1/2	8-32 x 1/2
20-RC104	7/16	1/2	8-32 NC x 1/4	8-32 NC x 1/4
20-RC105	7/16	1/2	8-32 x 3/8	8-32 x 3/8
20-RC9082	5/8	1/2	8-32 x 1/2	8-32 x 1/2
20-RC9046	3/4	3/4	1/4-20 x 1/2	1/4-20 x 1/2
20-RC9045	3/4	1	5/16-18 x 5/8	5/16-18 x 5/8
20-RC9084	1	1/2	1/4-20 x 1/2	1/4-20 x 1/2
20-RC9047	1	3/4	1/4-20 x 1/2	1/4-20 x 1/2
20-RC109	1	3/4	1/4-20 x 1/2	1/4-20F x 1/2
20-RC112	1	3/4	1/4-20 x 1/2	1/4-20 x 3/4
20-RC113	1	3/4	5/16-18 x 5/8	5/16-18 x 3/4
20-RC9474	1	3/4	5/16-18 x 5/8	5/16-18 x 5/8
20-RC9074	1	1	1/4-20 x 1/2	1/4-20 x 1/2
20-RC9044	1	1	5/16-18 x 5/8	5/16-18 x 5/8
20-RC115	1	1 7/16	1/4-20 x 3/8	5/16-18 x 1/2
20-RC116	1	1 1/2	5/16-18 x 5/8	5/16-18F BLIND
20-RC9070	1	3	5/16-18 x 5/8	5/16-18 x 5/8
20-RC9048	1 1/4	3/4	1/4-20 x 1/2	1/4-20 x 1/2
20-RC9042	1 1/4	1	5/16-18 x 5/8	5/16-18 x 5/8
20-RC9034	1 1/4	1 1/4	5/16-18 x 5/8	5/16-18 x 5/8
20-RC9043	1 3/8	1	5/16-18 x 5/8	5/16-18 x 5/8
20-RC9049	1 1/2	3/4	1/4-20 x 1/2	1/4-20 x 1/2
20-RC9036	1 1/2	1	5/16-18 x 5/8	5/16-18 x 5/8
20-RC9037	1 9/16	1	3/8-16 x 5/8	3/8-16 x 5/8
20-RC9075	2	3/4	3/8-16 x 1 1/8	3/8-16 x 1 1/8
20-RC9065	2	1 5/8	3/8-16 x 5/8	3/8-16 x 5/8
20-RC9068	2 1/8	1 3/4	5/8-18 x 1 1/8	5/8-18 x 1 1/8
20-RC9072	3 1/8	2 1/4	1/2-13 x 1 1/4	1/2-13 x 1 1/4

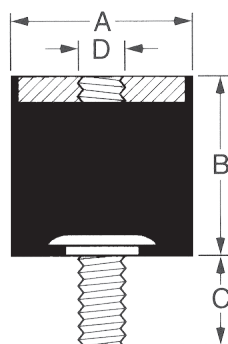
*Also Available with 6-32 Threads
Non-Standard Threads Available

Longwood can custom-mold vibration & shock mounts

ILLUSTRATIONS BELOW NOT TO SCALE



Rubber Vibration & Shock Mounts			
Part #	A	B	C
20-RC9180	3/8	1/2	8-32 x 1/2
20-RC9182	5/8	1/2	8-32 x 1/2
20-RC9146	3/4	3/4	1/4-20 x 1/2
20-RC9145	3/4	1	5/16-18 x 5/8
20-RC9184	1	1/2	1/4-20 x 1/2
20-RC9284	1	5/8	5/16-18 x 5/8
20-RC9147	1	3/4	1/4-20 x 1/2
20-RC9174	1	1	1/4-20 x 1/2
20-RC9144	1	1	5/16-18 x 5/8
20-RC9142	1 1/4	1	5/16-18 x 5/8
20-RC9160	1 3/8	5/8	1/2-13 x 3/4
20-RC9143	1 3/8	1	5/16-18 x 5/8
20-RC9149	1 1/2	3/4	1/4-20 x 1/2
20-RC9136	1 1/2	1	5/16-24 x 5/8
20-RC9137	1 9/16	1	3/8-16 x 5/8
20-RC9175	2	3/4	3/8-16 x 1 1/8
20-RC9165	2	1 5/8	3/8-16 x 5/8
20-RC9139	2 13/64	1 3/32	3/8-16 x 5/8
20-RC9172	3 1/8	2 1/4	1/2-13 x 1 1/4



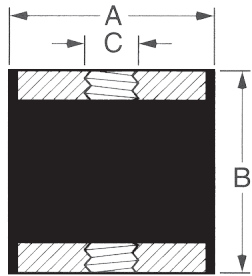
Rubber Vibration & Shock Mounts				
Part #	A	B	C	D
20-RC9081	3/8	1/2	8-32 x 1/2	8-32
20-RC9083	5/8	1/2	8-32 x 1/2	8-32
20-RC9085	1	1/2	1/4-20 x 1/2	1/4-20
20-RC9475	1	3/4	1/4-20 x 1/2	1/4-20
20-RC9745	1	1	1/4-20 x 1/2	1/4-20
20-RC9041	1	1	5/16-18 x 5/8	5/16-18
20-RC9434	1 3/8	1	5/16-18 x 5/8	5/16-18
20-RC9038	1 1/2	1	5/16-18 x 5/8	5/16-18
20-RC9076	2	3/4	3/8-16 x 1 1/8	3/8-16
20-RC9066	2	1 5/8	3/8-16 x 1 1/8	3/8-16
20-RC9077	2	2	3/8-16 x 1 1/8	3/8-16
20-RC9725	3.12	2.25	1/2-13 x 1 1/4	1/2-13

Call: 1-800-829-7231 — or — Fax to: 336-272-5619

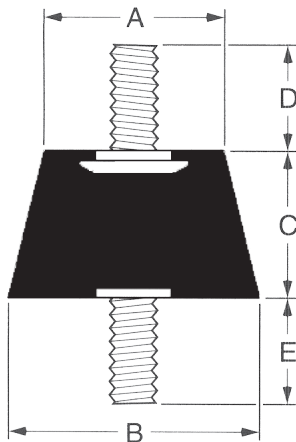
VIBRATION & SHOCK MOUNTS



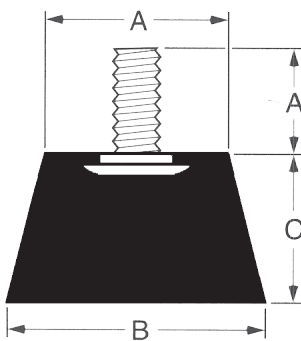
ILLUSTRATIONS BELOW NOT TO SCALE



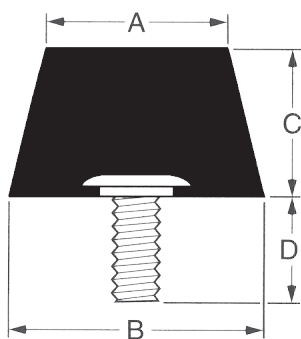
Rubber Vibration & Shock Mounts			
Part #	A	B	C
20-RC9086	$\frac{3}{8}$	$\frac{1}{2}$	8-32x
20-RC9087	$\frac{5}{8}$	$\frac{1}{2}$	8-32
20-RC9088	1	$\frac{1}{2}$	$\frac{1}{4}$ -20
20-RC9040	1	1	$\frac{5}{16}$ -18
20-RC9035	1 $\frac{1}{2}$	1	$\frac{5}{16}$ -18
20-RC9035A	1 $\frac{1}{2}$	1	$\frac{5}{16}$ -24
20-RC9064	2	1 $\frac{5}{8}$	$\frac{3}{8}$ -16
20-RC9073	3.12	2.25	$\frac{1}{2}$ -13



Rubber Vibration & Shock Mounts					
Part #	A	B	C	D	E
20-RC9030	1 $\frac{3}{16}$	1 $\frac{5}{8}$	1 $\frac{1}{2}$	$\frac{5}{16}$ -18 x $\frac{5}{8}$	$\frac{5}{16}$ -18 x $\frac{5}{8}$
20-RC9032	1 $\frac{3}{16}$	1 $\frac{5}{8}$	2	$\frac{5}{16}$ -18 x $\frac{5}{8}$	$\frac{5}{16}$ -18 x $\frac{5}{8}$
20-RC9033	1 $\frac{3}{8}$	1 $\frac{5}{8}$	2	$\frac{5}{16}$ -18 x $\frac{5}{8}$	$\frac{5}{16}$ -18 x $\frac{5}{8}$



Rubber Vibration & Shock Mounts				
Part #	A	B	C	D
20-RC9130	1 $\frac{3}{16}$	1 $\frac{5}{8}$	1 $\frac{1}{2}$	$\frac{5}{16}$ -18 x $\frac{5}{8}$
20-RC9133	1 $\frac{3}{8}$	1 $\frac{5}{8}$	1	$\frac{5}{16}$ -18 x $\frac{5}{8}$

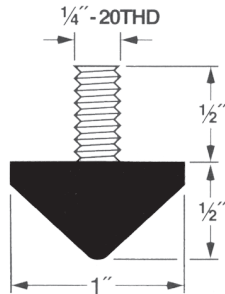


Rubber Vibration & Shock Mounts				
Part #	A	B	C	D
20-RC9131	1	1 $\frac{1}{2}$	1 $\frac{1}{4}$	$\frac{5}{16}$ -18 x $\frac{5}{8}$
20-RC9131A	1	1 $\frac{1}{2}$	1 $\frac{1}{4}$	$\frac{5}{16}$ -24 x $\frac{5}{8}$
20-RC9132	1 $\frac{3}{16}$	1 $\frac{5}{8}$	2	$\frac{5}{16}$ -24 x $\frac{5}{8}$

20 - VIBRATION & SHOCK ISOLATORS

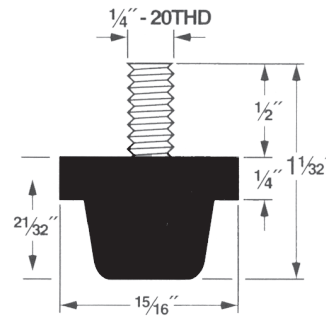
ILLUSTRATIONS BELOW NOT TO SCALE

20-RC 9170



Durometer: 50
K Value: 500 lbs/in.
Max Recommended Deflection: .05"
Load @ Max. Deflection: 25 lbs.

20-RC 9171

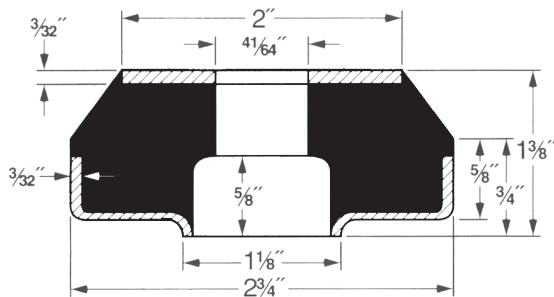


Durometer: 50
K Value: 300 lbs/in.
Max Recommended Deflection: .065"
Load @ Max. Deflection: 20 lbs.

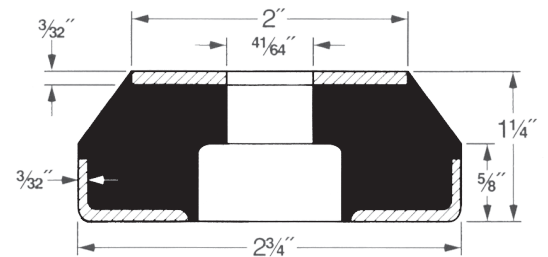
Longwood can custom-mold vibration & shock mounts

fax: 336-272-5619
 — or —
 call: 1-800-829-7231

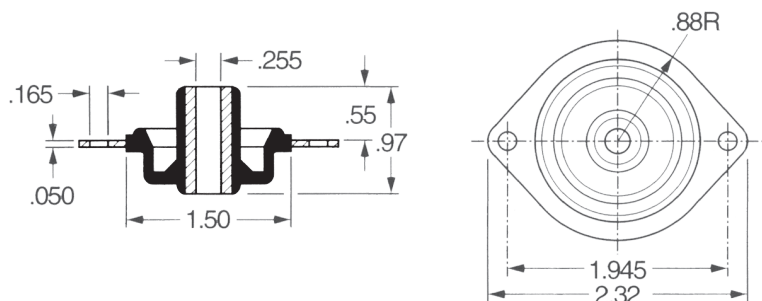
20-RC 9050



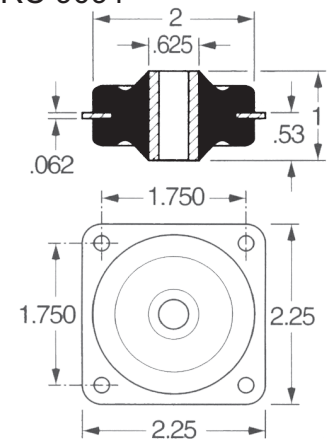
20-RC 9050F



20-RC 9090



20-RC 9091



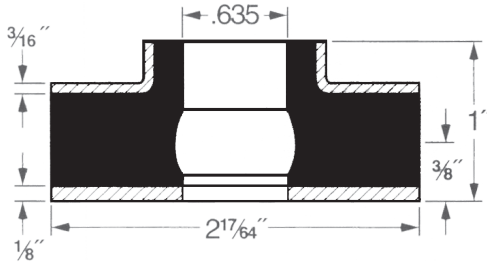
Call 1-800-829-7231 for assistance with selecting mounts

VIBRATION & SHOCK MOUNTS



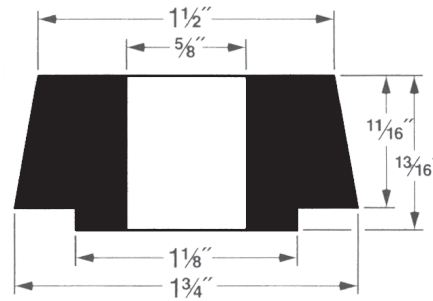
ILLUSTRATIONS BELOW NOT TO SCALE

20-RC 9055



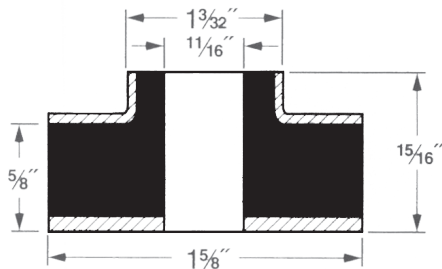
This Vibro-Insulator is designed specifically to dampen torsional vibrations in rotating-type machinery. It can, however, also be used as a compression mount. Compression details and performance data may be obtained by contacting Longwood.

20-RC 9051

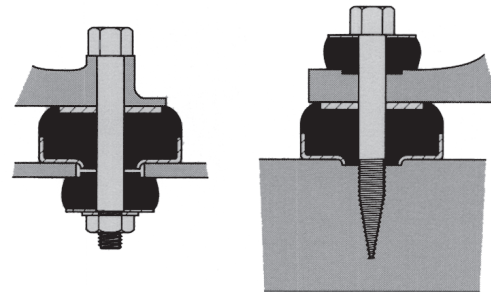


Primary application is the isolation of internal combustion engines against torsional vibration.

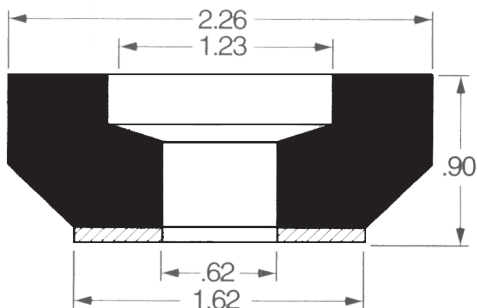
20-RC 9059



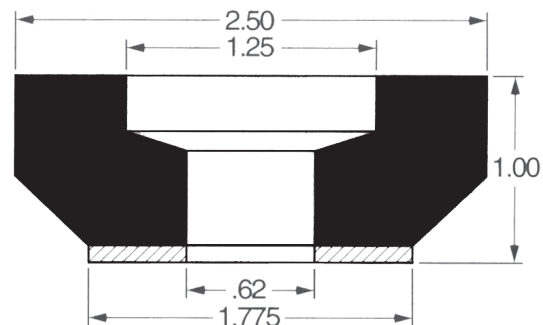
Torsional control insulators are designed so that they can be used in combination as shown here.



20-RC 9531



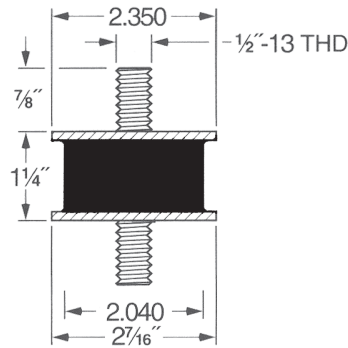
20-9053



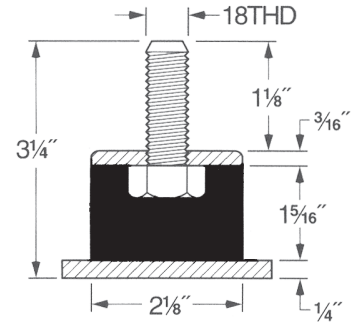
Specify part # and durometer

ILLUSTRATIONS BELOW NOT TO SCALE

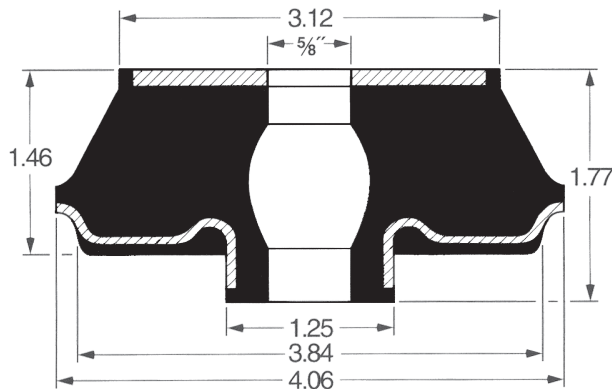
20-RC 9078



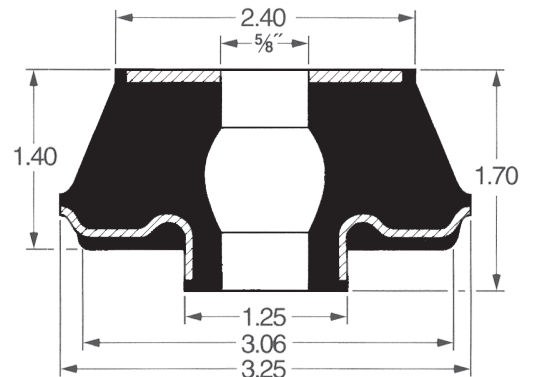
20-RC 9167



20-RC 9052

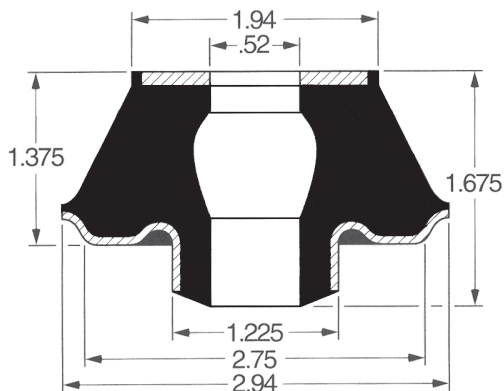


20-RC 9521



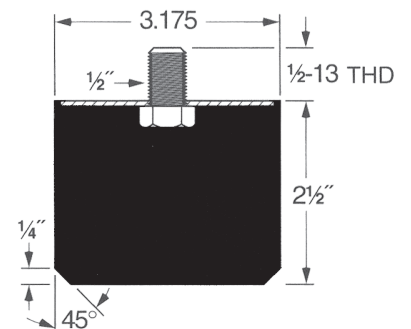
Use 5/8 dia. shoulder bolts or 1/2 dia. bolts with 1/16 wall tubular pre-load spacer.

20-RC 9522



Use 5/8 dia. shoulder bolts or 1/2 dia. bolts with 1/16 wall tubular pre-load spacer.

20-RC 9179



This multi-purpose Vibro-Insulator is designed to support loads up to 750 lbs. in compression. Our standard for the 9179 is 60 durometer natural rubber. It is also available in 40, 50, and 70 durometer.

Longwood is your vibration control specialist!

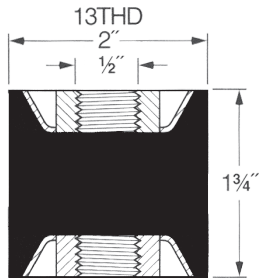
Call 1-800-829-7231 for additional assistance

VIBRATION & SHOCK MOUNTS

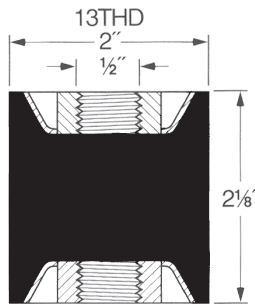


ILLUSTRATIONS BELOW NOT TO SCALE

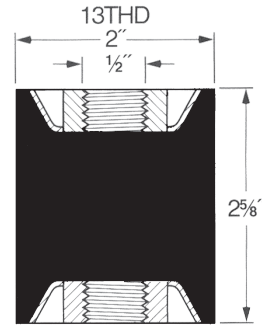
20-RC 9024



20-RC 9025



20-RC 9026



Specifications (compression)

Durometer	K Value (lbs./in.)	Max Recommended Deflection	Load (lbs.) @ Max Deflection
40	1500	.08"	120
50	2000	.08"	160
60	2800	.08"	225
70	6000	.08"	480

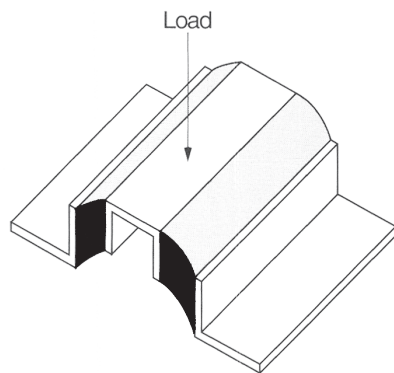
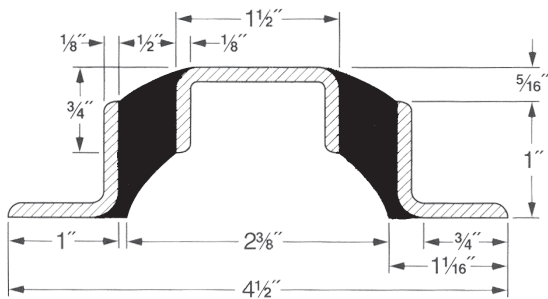
Specifications (compression)

Durometer	K Value (lbs./in.)	Max Recommended Deflection	Load (lbs.) @ Max Deflection
40	850	.12"	100
50	1100	.12"	135
60	1500	.12"	180
70	3400	.12"	400

Specifications (compression)

Durometer	K Value (lbs./in.)	Max Recommended Deflection	Load (lbs.) @ Max Deflection
40	580	.16"	90
50	800	.16"	125
60	1000	.16"	160
70	2400	.16"	385

20-RC 9230



CONTINUOUS STRIP INSULATORS

A continuous strip-type Vibro-Insulator having two rubber elements. This is the most popular form of Vibro-Insulator, capable of handling about 90% of all installations. In mounting, it is desirable to crowd the outer angle strips together so the rubber is slightly compressed.

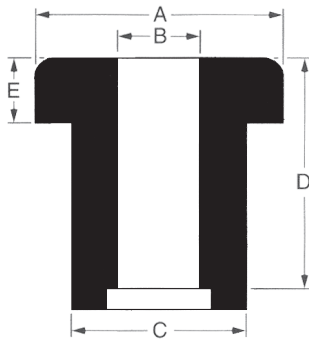
Available in 2", 3", 4", 6", 12", 20", 24", and 30" lengths.

Longwood
Vibration & Shock Mounts

1-800-829-7231

20 - VIBRATION & SHOCK ISOLATORS

ILLUSTRATIONS BELOW NOT TO SCALE

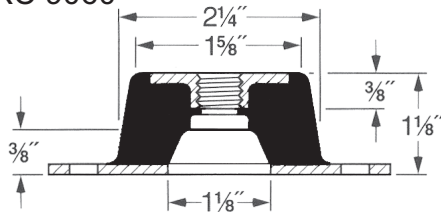


For effective multi-directional isolation of vibrations in applications involving pumps, engines, and compressors.

T-Type Multi-Directional Insulators—
Dimensions (Compression)

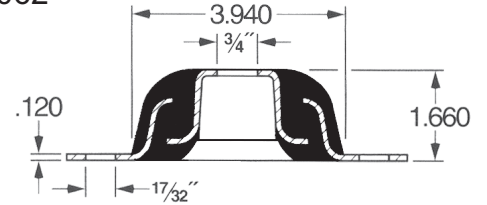
Part #	A	B	C	D	E
20-RC 9201	1.090	.400	.810	.690	.187
20-RC 9202	2.00	.640	1.350	1.812	.500
20-RC 9203	2.000	.640	1.350	1.810	.532
20-RC 9204	1.190	.530	1.31	1.312	.500
20-RC 9205	2.00	.530	1.350	1.375	.531
20-RC 9207	1.750	.530	1.120	1.120	.410
20-RC 9208	2.370	.640	1.500	1.500	.700
20-RC 9209	3.000	.640	1.990	2.000	.825

20-RC 9060



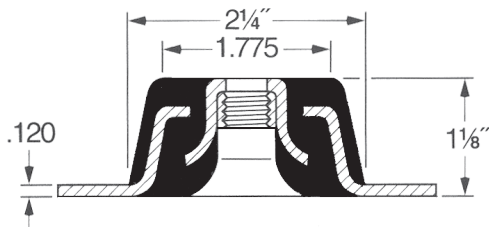
Available with 3/8-16 or 1/2-20 threads.
Also available with no threads.

20-RC 9062



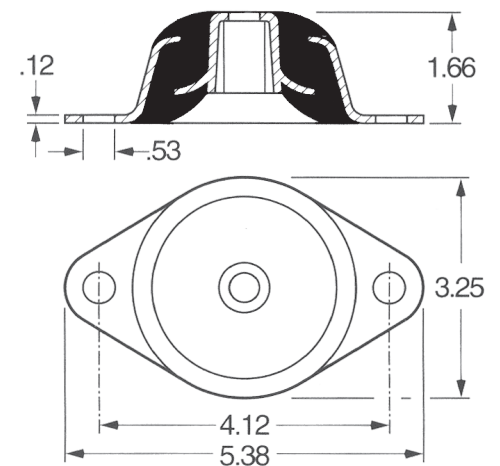
Available for either 5/8 or 3/4 VNC bolt.

20-RC 9069



3/8-16 threads.

20-RC 9061



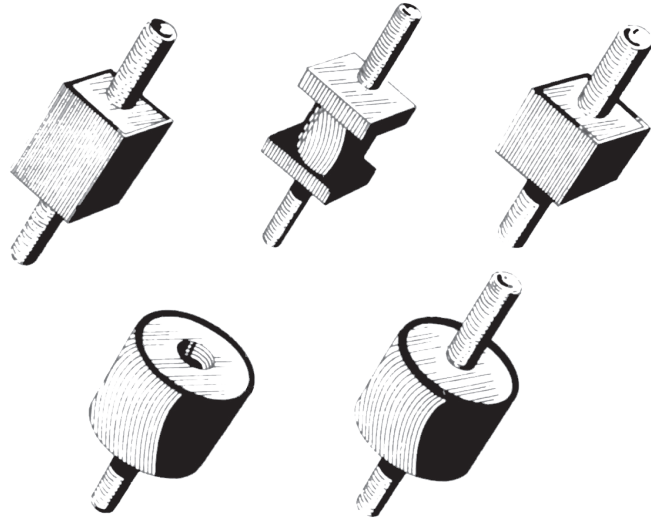
SMALL VIBRATION & SHOCK MOUNTS



ILLUSTRATIONS BELOW NOT TO SCALE

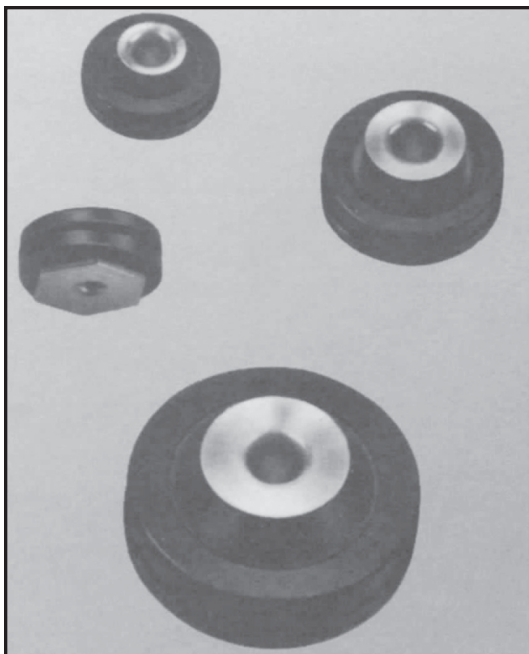
Typical Applications for Longwood mounts include:

- Compressors
- Pumps
- Blowers
- Fans
- Motors
- Air conditioning equipment
- Computers
- Electronic units
- Relays
- Timing devices
- Control panels
- Business machines
- Engine generator sets
- Motorcycles
- Small tillers & tampers
- Garden tractors & mowers
- Plant machinery
- Vibratory feeders



Features

- Reduce transmitted vibration from reciprocating or rotating equipment
- Prevent transmission of structure-borne noise
- Prevent damage to sensitive equipment from vibration and shock
- Low cost, lightweight, maintenance-free and easy to install
- Durable construction
- Can be loaded in compression or shear
- Available in a wide variety of styles, sizes, and load ranges



Standard Grommet Isolators Neoprene and Natural Rubber

Grommet isolators give you low-cost, effective vibration isolation for light loads. They are used in commercial and military applications such as computers, EDP equipment, business machines, appliances, aerospace systems, and industrial equipment. They offer improved reliability for small units in applications such as:

- Instruments
- Motors
- Fans
- Transponders
- Transducers
- Receivers
- Printed circuit boards
- Packaged networks
- Gauges and meters
- Warning devices
- Timing devices
- Potentiometers

At rated load, these mounts provide good vibration isolation for disturbing frequencies above 30 Hz.